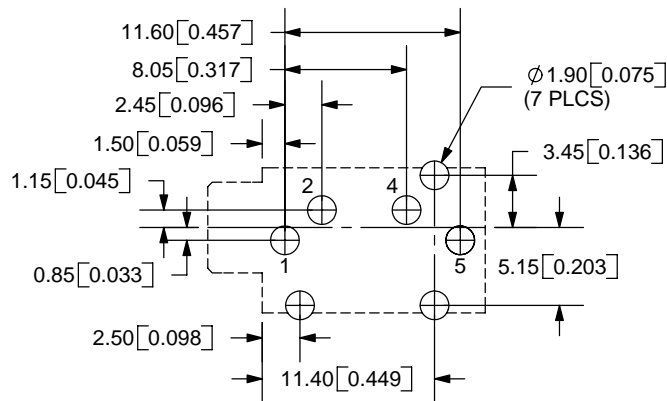
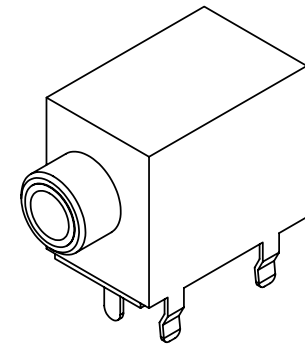
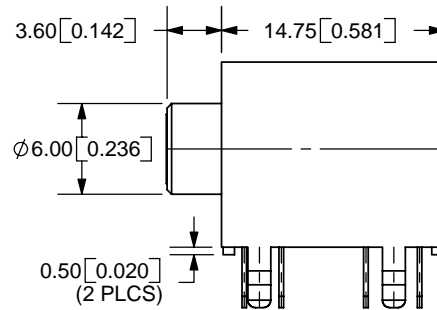
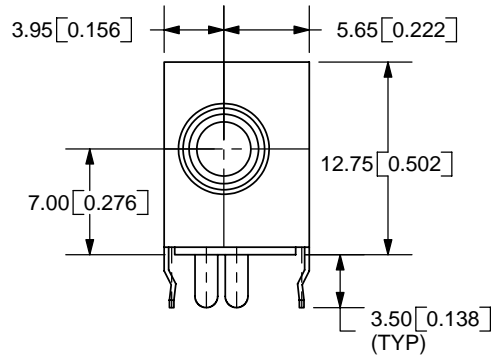
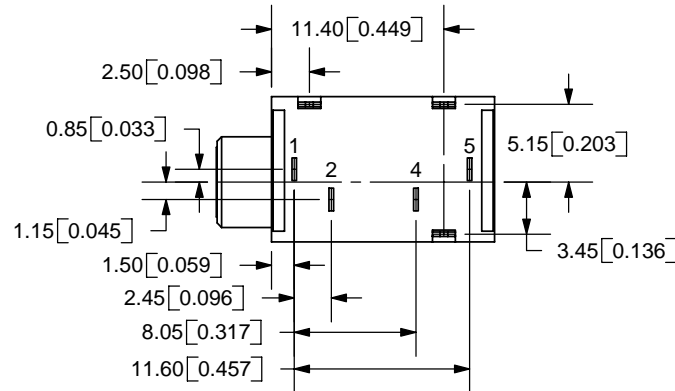


REV.	DESCRIPTION	DATE
A	NEW DRAWING	11/28/2005
B	Correction made to schematic	3/2/2006



PCB LAYOUT  
TOP VIEW



**SPECIFICATIONS:**

RATING: 16V DC @ 300mA  
 CONTACT RESISTANCE: 50m OHMS MAX  
 INSULATION RESISTANCE: 100M OHMS MIN: 500V DC  
 VOLTAGE WITHSTAND: 500V AC R.M.S. FOR 1 MINUTE  
 LIFE: 5,000 CYCLES

TOLERANCE:  
 X.X ±0.2mm  
 X.XX ±0.1mm  
 X.XXX ±0.05mm



MODEL NO.	SJ-3534NGS
SCHMATIC	

	MATERIAL	PLATING
TERMINAL 1	Brass	Tin
TERMINAL 2	Brass	Tin
TERMINAL 4	Brass	Tin
TERMINAL 5	Brass	Tin
BUSHING	Brass	Nickel
RING SPRING	SUS301	Nickel
TIP SPRING	SUS301	Nickel
SHIELD	Iron Plate	Tin
HOUSING	PBT	



**CUI INC**

9615 SW Allen Blvd., Ste. 103  
 Beaverton, OR 97005  
 Phone: 503-643-4899  
 800-275-4899  
 Fax: 503-372-1266  
 Website: www.cui.com

TITLE:	3.5mm 5 PIN RIGHT ANGLE STEREO JACK	REV:	B
PART NO.	SJ-3534NGS	UNITS:	MM [INCHES]
DRAWN BY:	ZRJ	APPROVED BY:	
		SCALE:	2:1